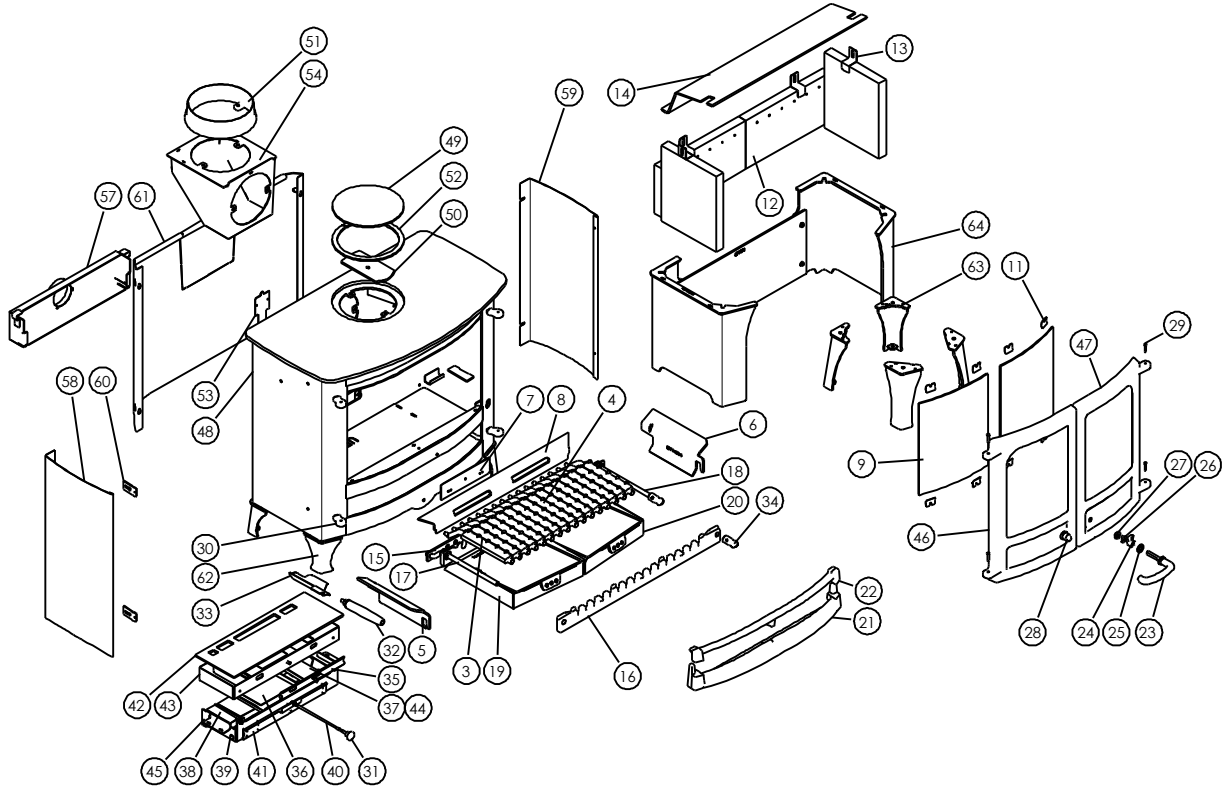




Issue A



Item	Part No.	Description	Ex.Vat.	Inc.Vat.	Item	Part No.	Description	Ex.Vat.	Inc.Vat.
1*	008/CY40S	Door Seal Set Inc. Adhesive	22.00	26.40	33	004/BX048	Tool Holder	26.00	31.20
2*	008/FW29	Door Seal Adhesive	7.50	9.00	34	002/PX89	Riddler Knob	39.00	46.80
3	002/CG20	Individual Grate Bar	18.30	21.96	35	004/CY21	Air Bypass Slide	23.50	28.20
4	002/CG20S16	Set of Grate Bars (16)	235.00	282.00	36	004/CY22P	Primary Air Inlet Flap	25.50	30.60
5	010/CY14L	Side Fire Plate L.H.	42.00	50.40	37	004/CY22S	Secondary Air Inlet Flap	24.00	28.80
6	010/CY14R	Side Fire Plate R.H.	42.00	50.40	38	004/AY22-15	Secondary/Bypass Air Inlet Flap	23.50	28.20
7	004/CZE081	Undergrate Blanking Plate	17.00	20.40	39	004/CY24	Flap Mounting Rod (Inc. Fixings)	12.10	14.52
8	010/CY16	Back Fire Plate	74.00	88.80	40	004/CY32	Air Control Rod	16.20	19.44
9	006/CY18	Glass (Inc Seal)	104.00	124.80	41	004/CY23	Actuator Assembly	57.00	68.40
10*	008/CY41	Glass Seal	14.50	17.40	42	008/CY39	Upper Quattro Box Gasket	25.00	30.00
11	004/KV23	Glass Retainer	0.76	0.91	43	010/CY20	Upper Quattro Box	89.00	106.80
12	011/CZE129S	Set of Fire Bricks	99.00	118.80	44	008/CY26S	Set of Air Inlet Flap Pads	23.00	27.60
13	004/XV30	Brick Retainer	4.00	4.80	45	010/CY19	Lower Quattro Box	57.00	68.40
14	010/CY31	Throat Plate	91.00	109.20	46#	002/CY01/A	Left Hand Door Assembly	255.00	306.00
15	012/CY33	Mover Bar	53.50	64.20	47#	002/CY02/A	Right Hand Door Assembly	265.00	318.00
16	002/CY30	Carrier Bar	78.00	93.60	48#	001/CZ010	Firebox (Island IIIZ)		
17	012/AY13	Idler Rod	37.50	45.00	49	010/CY37	Blanking Plate	26.50	31.80
18	012/AY15	Riddler Rod	38.50	46.20	50	010/CY61	Clamping Plate	21.00	25.20
19	004/CX17L	Ashpan L.H.	67.00	80.40	51	002/CY45	Flue Collar	84.00	100.80
20	004/CX17R	Ashpan R.H.	67.00	80.40	52	008/CY38	Flue Fixing Rope Seal	8.20	9.84
21	002/CY07C	Front Firebar	102.00	122.40	53	012/CZE011	Serial No. Label		
22	002/CY08C	Deepening Bar	71.00	85.20	54#	010/CY34	Vert. Rear Flue Connector (Opt'l Extra)	148.00	177.60
23	008/KV16	R.H. Door Handle	24.00	28.80	55*	010/BW51	Ash Carrier (Optional Extra)	132.00	158.40
24	002/AY14	Door Catch Cam	11.20	13.44	56*	010/CY83	Smoke Reducing Kit	59.50	71.40
25	008/FFW015	M12 Double Coil Spring Washer	2.40	2.88	57	010/TH64	External Air Manifold Kit	140.00	168.00
26	004/ST008	Tabbed Locking Washer	1.58	1.90	58#	005/CX093L	LH Curved Panel (Opt'l Extra)	51.00	61.20
27	008/FFN001	M12 Half Nut	0.23	0.28	58#	005/CX093R	RH Curved Panel (Opt'l Extra)	51.00	61.20
28	008/KV13	L.H. Door Knob	3.85	4.62	60	010/AX096	Panel Fixing Bracket	1.55	1.86
29	008/BW39/S	Hinge Pin Set	4.15	4.98	61#	010/CX080	Heatshield (Opt'l Extra)	98.00	117.60
30	002/PY24	Hinge Post	17.90	21.48	62#	010/CY12S	Set of Low Legs (4)	78.00	93.60
31	008/AY37	Air Control Knob	5.25	6.30	63#	010/CY64S	Set of High Legs (4)	102.00	122.40
32	008/PX95	Riddling/Ashpan Tool	38.50	46.20	64#	010/CY87	Store Stand	235.00	282.00

* These items are not shown on the drawing.

Please specify colour when ordering. Prices are shown in pounds sterling with vat at 20% They are correct at the date shown but may be subject to change without notice. E. & O.E These prices are subject to a carriage charge.

To obtain spare parts please contact your local stockist giving Model, Part No. and Description. In case of difficulty contact the manufacturer at the address shown. This drawing is for identification purposes only.

