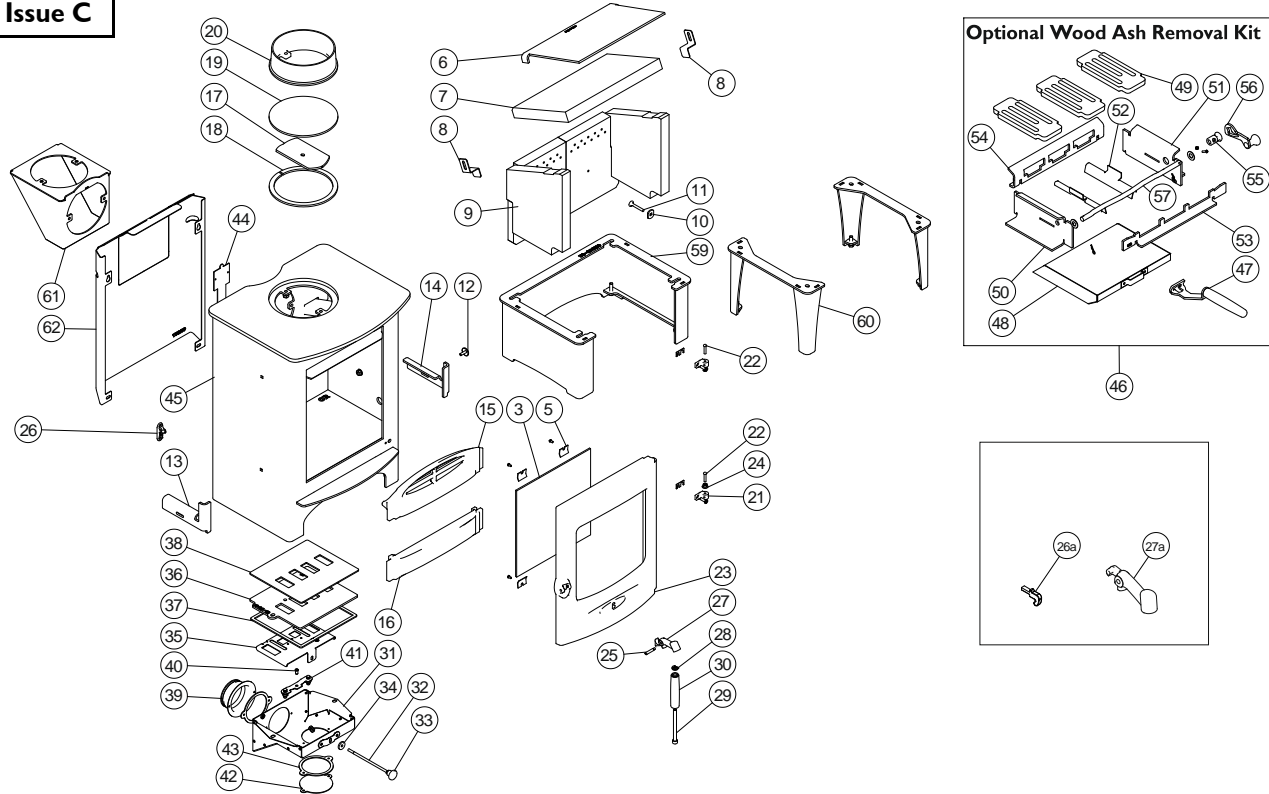




**Issue C**



Item	Part No.	Description	Ex.Vat.	Inc.Vat.	Item	Part No.	Description	Ex.Vat.	Inc.Vat.
1*	008/PV21	Rope Door Seal .....	12.50	15.00	31	004/CR041	Airbox Cover .....	45.50	54.60
2*	008/FW29	Door Seal Adhesive .....	7.50	9.00	32	004/BR016	Control Rod .....	19.50	23.40
3	006/PV19	Glass (Inc Seal) .....	43.00	51.60	33	008/AY37	Air Control Knob .....	5.25	6.30
4*	008/PV55	Glass Seal .....	13.80	16.56	34	008/BR052	Felt Washer .....	1.24	1.49
5	004/KV23	Glass Retainer .....	0.76	0.91	35	004/CR007	Air Inlet Slide .....	31.00	37.20
6	010/CRE147	Upper Baffle Plate .....	29.50	35.40	36	010/CR005	Air Control Plate .....	62.00	74.40
7	011/CRE131	Throat Plate .....	38.50	46.20	37	008/BR045	Lower Air Box Gasket .....	11.50	13.80
8	004/XV30	Brick Retaining Bracket .....			38	008/CR006	Airbox Gasket .....	11.50	13.80
9	011/CRE130S	Set of Fire Bricks .....	92.00	110.40	39	008/CR048	Air Inlet Spigot .....	7.90	9.48
10	010/ER036	Brick Retaining Washer .....	2.10	2.52	40	008/ES36/01	Brass Ball Catch .....	4.95	5.94
11	008/FFB127	M6x45 Coach Bolt .....	0.78	0.94	41	004/BR015	Clicker Retainer Plate .....	3.85	4.62
12	004/DY22	Riddler Blanking Disk .....	5.05	6.06	42	004/CR064	Coverplate .....	10.70	12.84
13	010/CRE027L	LH Brick and Fence Support .....	10.50	12.60	43	008/CR063	Duct Gasket .....	5.25	6.30
14	010/CRE027R	RH Brick and Fence Support .....	10.50	12.60	44	012/CRE011	Serial No. Label		
15	002/BR017	Fuel Retainer .....	56.00	67.20	45#	001/CRE010	Firebox		
16	002/BR034	Wood Ash Retainer .....	44.00	52.80	46	010/CRE022	Grate Kit (Inc Handle) .....	202.00	242.40
17	010/AY51	Clamping Plate .....	21.00	25.20	47	012/BV20/A	Ashpan Tool .....	29.50	35.40
18	008/NV38	Flue Fixing Rope Seal .....	8.20	9.84	48	004/BR033	Ashpan .....	43.50	52.20
19	012/TW09	Blanking Plate .....	26.50	31.80	49	002/EY03	Grate Plate .....	37.50	45.00
20#	002/CH12B	Flue Collar .....	79.00	94.80	50	010/CRE043	L.H. Grate Support .....	35.50	42.60
21	002/BR020	Hinge .....	12.80	15.36	51	010/CRE042	R.H. Grate Support .....	35.50	42.60
22	008/ST068/2	Hinge Pin Set .....	3.85	4.62	52	004/BRE019	Ash Shedding Plate .....	11.50	13.80
23#	002/BR001/A	Door Assembly .....	225.00	270.00	53	010/CRE006	Front Grate Support .....	26.00	31.20
24	008/FFW026	1/4 Heavy Brass Washer .....	0.15	0.18	54	010/CRE061	Rear Grate Support .....	35.50	42.60
25	004/BR014	Handle Pivot Pin .....	5.70	6.84	55	002/DY21	Riddler Knob .....	24.00	28.80
26	004/BR084	Door Latch .....	12.60	15.12	56	008/DY27	Riddling Tool .....	15.50	18.60
26a**	002/PV13	Door Latch .....	9.65	11.58	57	010/CR013	Riddler Rod .....	37.50	45.00
27	002/BR087	Handle Casting .....	21.00	25.20	58*	010/EW51	Ash Carrier (Opt'l Extra) .....	132.00	158.40
27a**	002/BR012	Handle Casting .....	23.50	28.20	59#	010/CR050	Store Stand (Optional Extra) .....	142.00	170.40
28	008/FFW015	Thackery Washer .....	2.40	2.88	60#	010/ER051	High Legs (Optional Extra)		
29	008/FFB007	M8 x 100 Allen Hd Bolt .....	0.50	0.60	61#	010/TW33	Vert Rear Flue Adaptor (Opt'l Extra) ...	132.00	158.40
30	008/BR013	Wooden Handle .....	14.50	17.40	62#	010/CR057	Heat Shield (Optional Extra) .....	81.00	97.20

\* These items are not shown on the drawing.

\*\* These items are only used on models prior to serial no. 100151

# Please specify colour when ordering. Prices are shown in pounds sterling with vat at 20% They are correct at the date shown but may be subject to change without notice. E. & O.E These prices are subject to a carriage charge

To obtain spare parts please contact your local stockist giving Model, Part No. and Description. In case of difficulty contact the manufacturer at the address shown. This drawing is for identification purposes only.

