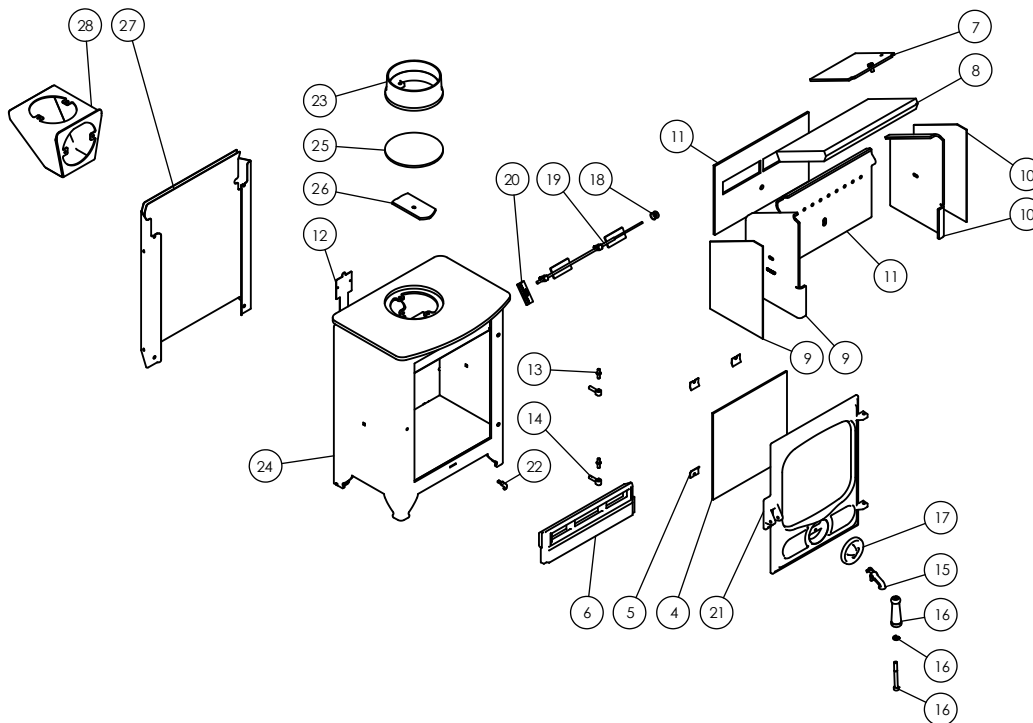




Issue A



Item	Part No.	Description	Ex.Vat.	Inc.Vat.	Item	Part No.	Description	Ex.Vat.	Inc.Vat.
1*	008/PV21	Door Seal	12.50	15.00	16	008/PV08	Door Handle (Incl. Screw & Washer) ...	15.20	18.24
2*	008/FW29	Door Seal Adhesive	7.50	9.00	17	002/PV02	Primary Air Control	20.50	24.60
3*	008/PV55	Glass Seal Kit	13.80	16.56	18	002/TW13	Air Control Knob	19.90	23.88
4	006/PV19	Glass (Inc Seal)	43.00	51.60	19	004/EY48	Airwash Slide	39.50	47.40
5	004/KV23	Glass Retainer	0.76	0.91	20	010/EYE021	Defra Stop	3.60	4.32
6	002/EY23	Fuel Retainer	65.00	78.00	21#	002/PV01/A	Door Assembly	205.00	246.00
7	010/EYE032	Upper Baffle	23.50	28.20	22	002/PV13	Door Latch Hook	9.65	11.58
8	011/EYE031	Throat Plate Brick	33.00	39.60	23#	002/PV12B	Flue Collar	62.00	74.40
9	010/EYE029	L.H. Side Fire Plate (Inc Gasket)	49.00	58.80	24	001/EYE010	Firebox (Country 4 MkII)		
10	010/EYE028	R.H. Side Fire Plate (Inc Gasket)	49.00	58.80	25	012/PV09	Blanking Plate	26.50	31.80
11	010/EYE016	Back Fire Plate (Inc Gasket)	50.50	60.60	26	010/EY51	Clamping Plate	21.00	25.20
12	012/EYE011	Serial No. Label			27#	010/EYE080	Rear Heatshield (Opt'l Extra)	86.00	103.20
13	008/ST068/2	Hinge Pin Set (2 Per Set)	3.85	4.62	28#	010/BU034	Vert. Rear Flue Adapter (Opt'l Extra) ...	132.00	158.40
14	008/FW28	Hinge Post	7.75	9.30	29	012/BV20/A	Door Opening Tool	29.50	35.40
15	002/PV03	Door Catch Lever	31.00	37.20					

* These items are not shown on the drawing.

Please specify colour when ordering. Prices are shown in pounds sterling with vat at 20% They are correct at the date shown but may be subject to change without notice. E. & O.E These prices are subject to a carriage charge.

To obtain spare parts please contact your local stockist giving Model, Part No. and Description. In case of difficulty contact the manufacturer at the address shown. This drawing is for identification purposes only.

