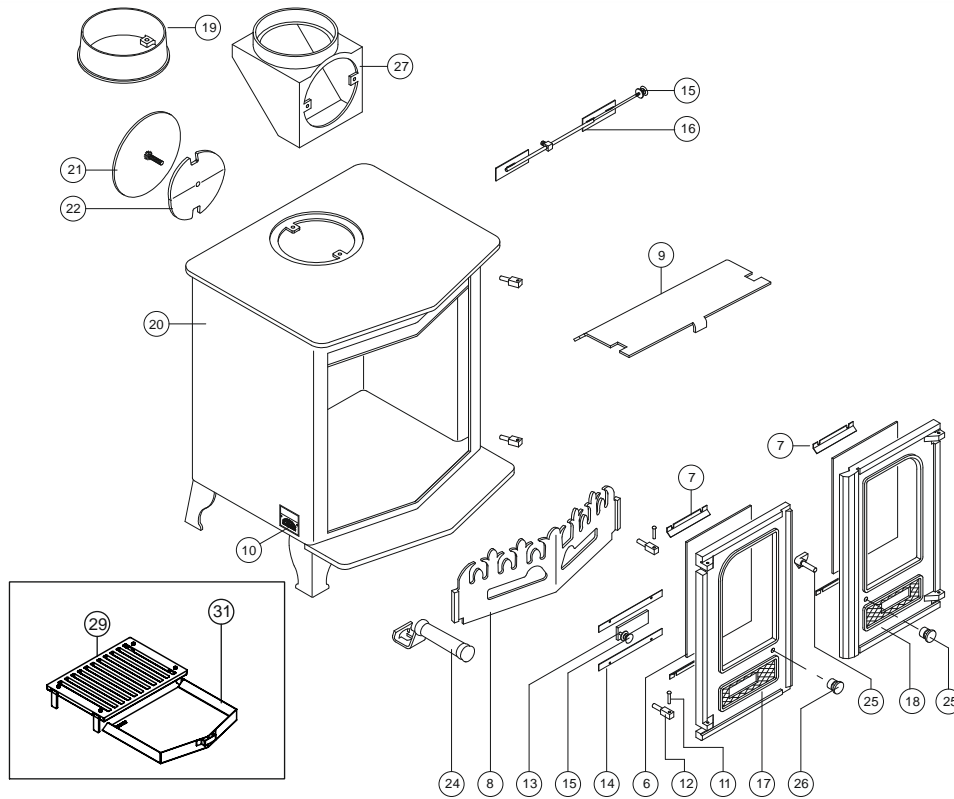




Issue H



Item	Part No.	Description	Ex.Vat.	Inc.Vat.	Item	Part No.	Description	Ex.Vat.	Inc.Vat.
3*	008/GV40/S	Door Seal Set Incl. Adhesive	32.50	39.00	20	009/CO8BWB/A	Firebox/Boiler Assy (Country 8B)	26.50	31.80
4*	008/FW29	Door Seal Adhesive	7.50	9.00	21	012/TW09	Blanking Plate		31.80
5*	008/RW55	Glass Seal Kit	14.50	17.40	22	010/TW61	Clamping Plate	NA	
6	006/LW30	Glass (Inc Seal)	39.50	47.40	23*	010/EW51	Ash Carrier (Optional Extra)	132.00	158.40
7	004/GV23	Glass Retainer	4.40	5.28	24	012/BV20/A	Ashpan / Door Opening Tool	29.50	35.40
8	002/LV07C/A	Front Fence	84.00	100.80	25	008/BV03/A	Door Catch Assembly	25.50	30.60
9	010/LV32	Throat Plate	66.00	79.20	26	002/BV12	Left Hand Door Knob	NA	
10	012/LV11	Serial No. Label			27#	010/TW33	Vert. Rear Flue Connector (Opt'l Extra)	132.00	158.40
11	008/BW39/S	Hinge Pin Set	4.15	4.98	29**	010/LV03/A	Coal Grate Inc. Legs (Opt'l Extra)	124.00	148.80
12	008/FW27	Hinge Post	7.40	8.88	37**	010/FY05L	Side Grate Support Plate L.H.	37.50	45.00
13	012/TW14	Primary Air Slide	9.00	10.80	38**	010/FY05R	Side Grate Support Plate R.H.	37.50	45.00
14	004/DY26	Primary Air Slide Guide	17.10	20.52	39**	010/FY06	Rear Grate Support Plate	37.50	45.00
15	002/TW13	Air Control Knob	19.90	23.88	40**	010/DY13	Riddler Rod	38.50	46.20
16	004/TW48	Airwash Slide	32.50	39.00	41**	004/LV17	Ashpan	86.00	103.20
17	002/TW01	Left Hand Door	NA		42**	008/DY27	Riddling Tool	15.50	18.60
18	002/BV02	Right Hand Door	102.00	122.40	43**	004/LV17	Ashpan	86.00	103.20
19#	002/CH12B	Flue Collar	79.00	94.80	44	010/LV20	Multi-Fuel Kit	198.00	237.60

* These items are not shown on the drawing.

** These items are included in the multi-fuel kit. Prices are shown in pounds sterling with vat at 20%. They are correct at the date shown but may be subject to change without notice. E. & O.E. These prices are subject to a carriage charge.

To obtain spare parts please contact your local stockist giving Model, Part No. and Description. In case of difficulty contact the manufacturer at the address shown. This drawing is for identification purposes only.

