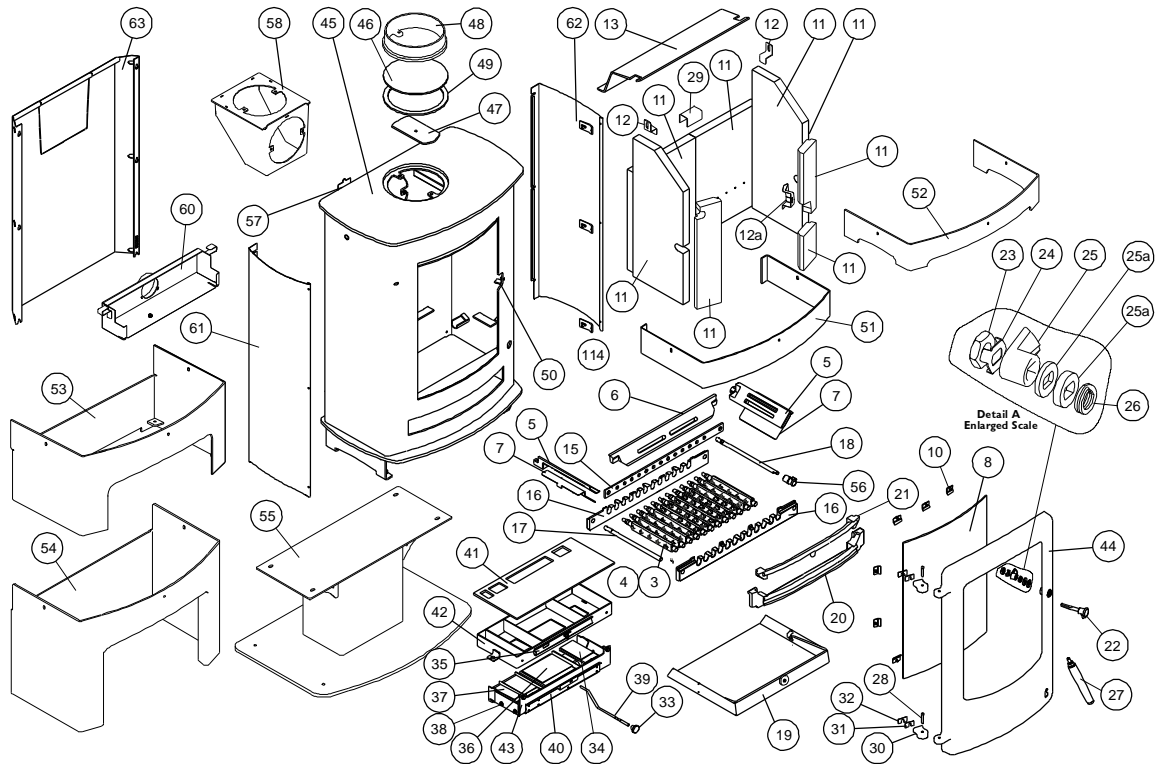




Issue D



Item	Part No.	Description	Ex.Vat.	Inc.Vat.	Item	Part No.	Description	Ex.Vat.	Inc.Vat.
1*	008/RV23S	Door Seal Set Inc.Adhesive	23.00	27.60	32	004/RV25A	Hinge Post Shim 2mm	NA	
2	008/FW29	Door Seal Adhesive	7.50	9.00	33	008/AY37	Air Control Knob	5.25	6.30
3	002/CG20	Bottom Grate Bar	18.30	21.96	34	004/CY22S	Secondary Air Inlet Flap	24.00	28.80
4	002/CG20S12	Set of Grate Bars (12)	178.00	213.60	35	004/CY21	Air Bypass Slide	23.50	28.20
5	002/CY15	Side Fire Plate	39.00	46.80	36	004/CY22P	Primary Air Inlet Flap	25.50	30.60
6	002/BY16	Back Fire Plate	72.00	86.40	37	004/AY22-1S	Secondary/Bypass Air Inlet Flap	23.50	28.20
7	004/BY24	Ash Shedding Plate	18.30	21.96	38	004/CY24	Flap Mounting Rod (Inc. Fixings)	12.10	14.52
8	006/RV18	Glass (Inc Seal)	210.00	252.00	39	004/RV32	Air Control Rod	16.20	19.44
9	008/RV45	Glass Seal	14.50	17.40	40	004/CY23	Actuator Assembly	57.00	68.40
10	004/KV23	Glass Retainer	0.76	0.91	41	008/RV16	Upper Quattro Box Gasket	20.50	24.60
11	011/RX27S	Set of Fire Bricks (6)	126.00	151.20	42	010/PY20	Upper Quattro Box	86.00	103.20
12	004/XV30	Brick Retainer	4.00	4.80	43	010/CY19	Lower Quattro Box	57.00	68.40
12a	004/RX041	Front Brick Bracket			44#	002/RX01/A	Door Assembly	640.00	768.00
13	010/RV31	Throat Plate	87.00	104.40	45	001/RX10	Firebox (Cove 3 MkII)		
14	008/CY26S	Set of Air Inlet Flap Pads			46	010/CY37	Blanking Plate	26.50	31.80
15	012/BY33	Mover Bar	52.50	63.00	47	010/CY61	Clamping Plate	21.00	25.20
16	002/BY30	Carrier Bar	56.50	67.80	48#	002/CY45	Flue Collar	84.00	100.80
17	012/AY13	Idler Rod	37.50	45.00	49	008/CY38	Flue Fixing Rope Seal	8.20	9.84
18	012/AY15	Riddler Rod	38.50	46.20	50	002/RX38	Door Stop	11.00	13.20
19	004/RX17	Ashpan	79.00	94.80	51#	010/RV13	Low Stand	96.00	115.20
20	002/BY07B	Front Firebar	67.00	80.40	52#	010/RX32	Low Arch Stand	96.00	115.20
21	002/BY08	Deepening Bar	56.50	67.80	53#	010/RX35	Midi Stand	270.00	324.00
22	002/PX92	Door Knob & Spindle	25.50	30.60	54#	010/RX11	Store Stand	290.00	348.00
23	008/FFN001	M12 Half Nut	0.23	0.28	55#	010/RX12	Centre Stand	200.00	240.00
24	004/ST008	Tabbed Locking Washer	1.58	1.90	56	002/PX89	Riddler Knob	39.00	46.80
25	002/AY14	Door Catch Cam	11.20	13.44	57	012/RV19	Serial No. Label	NA	
25a	010/ST031	Door Catch Spacer	2.30	2.76	58#	010/CY34	Vert. Rear Flue Connector (Opt'l Extra)	148.00	177.60
26	008/FFW015	M12 Double Coil Spring Washer	2.40	2.88	59#	010/BW51	Ash Carrier (Optional Extra)	132.00	158.40
27	008/PX95	Door/Riddling/Ashpan Tool	38.50	46.20	60	010/TH62	External Air Manifold Kit	140.00	168.00
28	008/PV28/S	Hinge Pin Set (2 Per Set)	4.15	4.98	61#	005/RX93L	LH Curved Side Panel	29.20	35.04
29	004/LV24	Rear Brick Joining Bracket	6.75	8.10	62#	005/RX93R	RH Curved Side Panel	29.20	35.04
30	002/RV26	Hinge Post	17.90	21.48	63#	010/RX80	Heatshield (Opt'l Extra)	98.00	117.60
31	004/RV25B	Hinge Post Shim 0.9mm	0.57	0.68					

*These items are not shown on the drawing.

Please specify colour when ordering. Prices are shown in pounds sterling with vat at 20% They are correct at the date shown but may be subject to change without notice. E. & O.E These prices are subject to a carriage charge.

To obtain spare parts please contact your local stockist giving Model, Part No. and Description. In case of difficulty contact the manufacturer at the address shown. This drawing is for identification purposes only.

