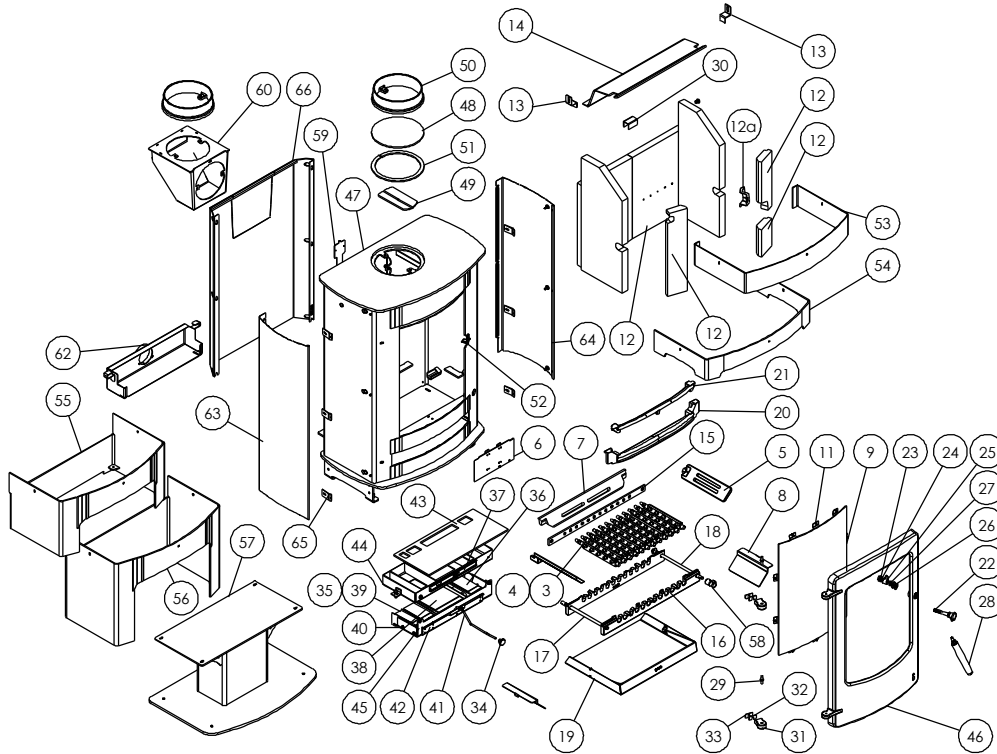




Issue A



Item	Part No.	Description	Ex.Vat.	Inc.Vat.	Item	Part No.	Description	Ex.Vat.	Inc.Vat.
1*	008/RY235	Door Seal Set Inc.Adhesive	23.00	27.60	34	008/AY37	Air Control Knob	5.25	6.30
2*	008/FW29	Door Seal Adhesive	7.50	9.00	35	008/CY26S	Set of Air Inlet Flap Pads	23.00	27.60
3	002/CG20	Bottom Grate Bar	18.30	21.96	36	004/CY22S	Secondary Air Inlet Flap	24.00	28.80
4	002/CG20S12	Set of Grate Bars (12)	178.00	213.60	37	004/CY21	Air Bypass Slide	23.50	28.20
5	002/CY15	Side Fire Plate	39.00	46.80	38	004/CY22P	Primary Air Inlet Flap	25.50	30.60
6	004/RXE081	Undergrate Blanking Plate	17.50	21.00	39	004/AY22-1S	Secondary/Bypass Air Inlet Flap	23.50	28.20
7	002/BY16	Back Fire Plate	72.00	86.40	40	004/CY24	Flap Mounting Rod (Inc. Fixings)	12.10	14.52
8	004/BY24	Ash Shedding Plate	18.30	21.96	41	004/RY32	Air Control Rod	16.20	19.44
9	006/RY18	Glass (Inc Seal)	210.00	252.00	42	004/CY23	Actuator Assembly	57.00	68.40
10*	008/RY45	Glass Seal	14.50	17.40	43	008/RY16	Upper Quattro Box Gasket	20.50	24.60
11	004/KV23	Glass Retainer	0.76	0.91	44	010/PY20	Upper Quattro Box	86.00	103.20
12	011/RXE129S	Set of Fire Bricks (6)	104.00	124.80	45	010/CY19	Lower Quattro Box	57.00	68.40
12a	004/RX041	Front Brick Bracket	16.20	19.44	46#	002/RX01/A	Door Assembly	640.00	768.00
13	004/XV30	Brick Retainer	4.00	4.80	47#	001/RX10	Firebox (Cove 3 MkII)		
14	010/RY31	Throat Plate	87.00	104.40	48	010/CY37	Blanking Plate	26.50	31.80
15	012/BY33	Mover Bar	52.50	63.00	49	010/CY61	Clamping Plate	21.00	25.20
16	002/BY30	Carrier Bar	56.50	67.80	50#	002/CY45	Flue Collar	84.00	100.80
17	012/AY13	Idler Rod	37.50	45.00	51	008/CY38	Flue Fixing Rope Seal	8.20	9.84
18	012/AY15	Riddler Rod	38.50	46.20	52	002/RX38	Door Stop	11.00	13.20
19	004/RX17	Ashpan	79.00	94.80	53#	010/RY13	Low Stand	96.00	115.20
20	002/BY07B	Front Firebar	67.00	80.40	54#	010/RX32	Low Arch Stand	96.00	115.20
21	002/BY08	Deepening Bar	56.50	67.80	55#	010/RX35	Midi Stand	270.00	324.00
22	002/PX92	Door Knob & Spindle	25.50	30.60	56#	010/RX11	Store Stand	290.00	348.00
23	008/FFN001	M12 Half Nut	0.23	0.28	57#	010/RX12	Centre Stand	200.00	240.00
24	004/ST008	Tabbed Locking Washer	1.58	1.90	58	002/PX89	Riddler Knob	39.00	46.80
25	002/AY14	Door Catch Cam	11.20	13.44	59	012/RXE011	Serial No. Label		
26	010/ST031	Door Catch Spacer	2.30	2.76	60#	010/CY34	Vert. Rear Flue Connector (Opt'l Extra)	148.00	177.60
27	008/FFW015	M12 Double Coil Spring Washer	2.40	2.88	61#	010/BW51	Ash Carrier (Optional Extra)	132.00	158.40
28	008/PX95	Door/Riddling/Ashpan Tool	38.50	46.20	62	010/TH62	External Air Manifold Kit	140.00	168.00
29	008/PV28/S	Hinge Pin Set (2 Per Set)	4.15	4.98	63#	005/RX93L	LH Curved Side Panel	29.20	35.04
30	004/LV24	Rear Brick Joining Bracket	6.75	8.10	64#	005/RX93R	RH Curved Side Panel	29.20	35.04
31	002/RY26	Hinge Post	17.90	21.48	65	010/PX96	Panel Fixing Bracket	11.60	13.92
32	004/RY25B	Hinge Post Shim 0.9mm	0.57	0.68	66#	010/RX80	Heatshield	98.00	117.60
33	004/RY25A	Hinge Post Shim 2mm	NA						

* These items are not shown on the drawing.

Please specify colour when ordering. Prices are shown in pounds sterling with vat at 20% They are correct at the date shown but may be subject to change without notice. E. & O.E These prices are subject to a carriage charge.

To obtain spare parts please contact your local stockist giving Model, Part No. and Description. In case of difficulty contact the manufacturer at the address shown. This drawing is for identification purposes only.

