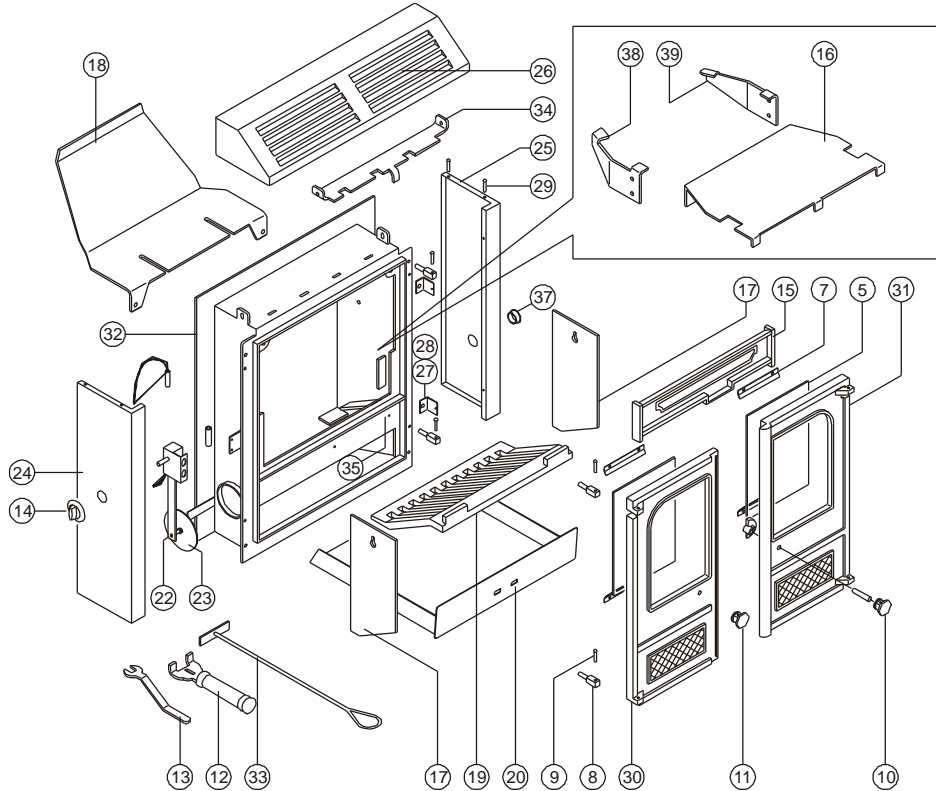




Issue F



Item	Part No.	Description	Ex.Vat.	Inc.Vat.	Item	Part No.	Description	Ex.Vat.	Inc.Vat.
3*	008/RW35/S	Door Seal Set Incl. Adhesive	32.50	39.00	22	008/BW49	Thermostat	66.00	79.20
4*	008/FW29	Door Seal Adhesive	7.50	9.00	23	008/BW57	Thermostat Flap 90mm Dia	10.10	12.12
5	006/RW18	Glass (Inc Seal)	77.00	92.40	24#	005/RW05	Side Panel L.H.	104.00	124.80
6*	008/RW55	Glass Seal Kit	14.50	17.40	25#	005/RW04	Side Panel R.H.	104.00	124.80
7	004/EW23	Glazing Bar	4.40	5.28	26#	005/RW06	Hood Panel	154.00	184.80
8	008/FW27	Hinge Post	7.40	8.88	27	004/RW13	Panel Fixing Bracket	4.60	5.52
9	008/BW39/S	Hinge Pin Set	4.15	4.98	28	012/RW30	Hood & Panel Fixing Kit	14.70	17.64
10	008/RW43/A	Door Catch Assembly R.H.	25.50	30.60	29	008/WW14S	Hood Fixing Pin Set (4)	5.25	6.30
11	002/HV12	Door Knob L.H. (Round)	17.00	20.40	30#	003/RW01/A	Door L.H. Assembly	200.00	240.00
12	010/RW21	Ashpan Tool	29.50	35.40	31#	003/RW02/A	Door R.H. Assembly	210.00	252.00
13	002/BW26	Door Opening Tool	12.10	14.52	32	001/RV10	Firebox (LA Firefront MKII)		
14	008/BW50	Thermostat Knob	5.25	6.30	33	012/FW34	Scraper Tool	14.30	17.16
15	002/FW07	Front Firebar	89.00	106.80	34	010/RV13	Secondary Air Slide	40.50	48.60
16	010/RV09	Throat Plate	56.50	67.80	35	012/EV08	Serial Number Label	NA	
17	010/RV04	Side Plate	25.00	30.00	36*	010/EW51	Ash Carrier (Optional Extra)	132.00	158.40
18	010/RV03	Clamping Plate	40.50	48.60	37	012/EV14	Bung	15.30	18.36
19	002/RV12	Front Grate	74.00	88.80	38	010/RV05/L	Throat Plate Bracket Left Hand	25.50	30.60
20	004/RV17	Ashpan (Rectangular)	78.00	93.60	39	010/RV05/R	Throat Plate Bracket Right Hand	25.50	30.60
21	004/EV17	Ashpan (Tapered)	83.00	99.60					

* These items are not shown on the drawing. Prices are shown in pounds sterling with vat at 20% They are correct at the date shown but may be subject to change without notice. E. & O.E These prices are subject to a carriage charge.

To obtain spare parts please contact your local stockist giving Model, Part No. and Description. In case of difficulty contact the manufacturer at the address shown. This drawing is for identification purposes only.

