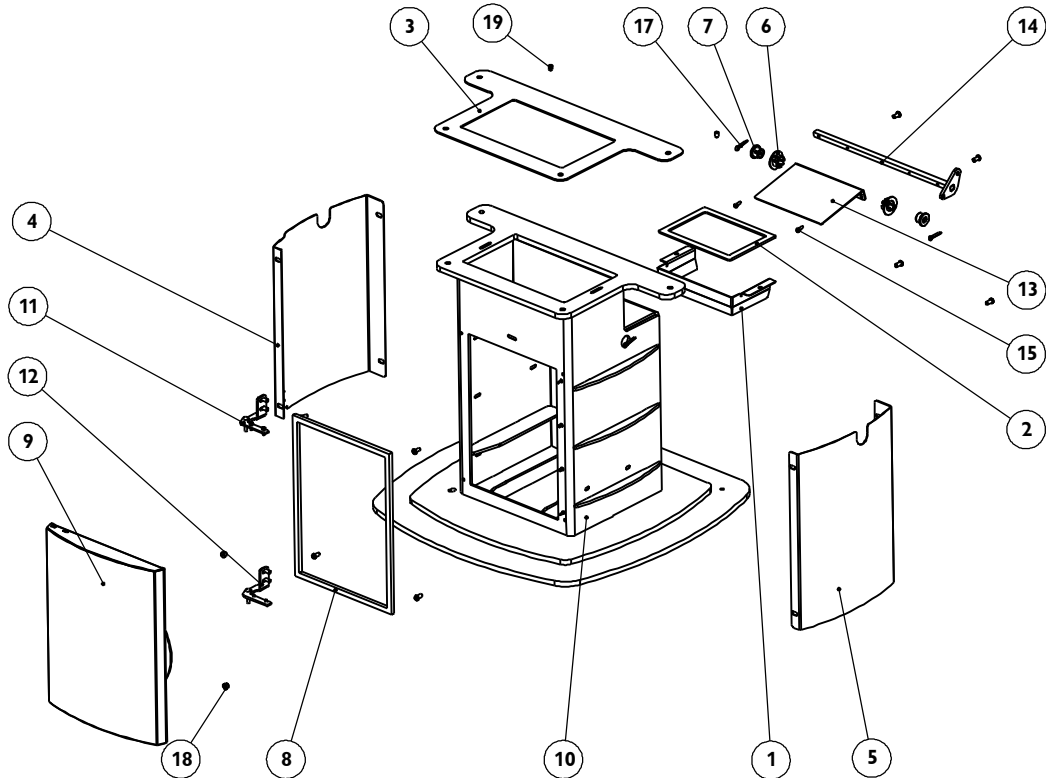




Issue C



Item	Part No.	Description	Ex.Vat.	Inc.Vat.	Item	Part No.	Description	Ex.Vat.	Inc.Vat.
1	004/ES06/12	Ash Guide .....	7.65	9.18	11	010/ES06/26	Hinge Upper .....	14.70	17.64
2	008/ES06/16	Gasket Ash Flap .....	16.20	19.44	12	010/ES06/27	Hinge Lower .....	14.70	17.64
3	008/ES06/17	Gasket Column .....	15.40	18.48	13	004/ES08/08	Ash Flap .....	11.60	13.92
4	004/ES06/19	L.H. Column Side .....	32.00	38.40	14	010/ES08/11	Flap Pivot Arm Assy .....	19.90	23.88
5	004/ES06/20	R.H. Column Side .....	32.00	38.40	15	008/FFS040	M4 x 10 Pozi Pan Hd .....	0.10	0.12
6	008/ES06/21	Bearing Ash Flap .....	4.30	5.16	16	008/FFS003	M5 x 10 Pan Hd .....	0.20	0.24
7	008/ES06/22	Flap Pivot .....	4.30	5.16	17	008/FFP001	Splitpin 3.7mm Dia .....	0.10	0.12
8	008/ES06/23	Ash Door Seal .....	4.60	5.52	18	008/FFM041	Magnet .....	2.40	2.88
9	004/ES06/10	Ash Door Assy .....	47.00	56.40	19	008/FFS068	Grubscrew M8 x 10 .....	0.99	1.19
10	010/ES06/25	Column Body .....	395.00	474.00					

# Please specify colour when ordering Prices are shown in pounds sterling with vat at 20% They are correct at the date shown but may be subject to change without notice. E. & O.E These prices are subject to a carriage charge.

To obtain spare parts please contact your local stockist giving Model, Part No. and Description. In case of difficulty contact the manufacturer at the address shown. This drawing is for identification purposes only.

